



C-Frame - Shaded Pole

Applications

- C-Frame - Shaded Pole
- Hood Vents
- Small Fans
- Movie & Slide Projectors
- Timing Devices
- Vibrators
- Small Pumps
- Jig Saws
- Tape Recorders (transformer winding eliminates need for separate transformer)
- Microwave Ovens
- Rock Tumblers

Benefits

Optional transformer windings provide auxiliary power source. Various speed-torque characteristics available to match specific applications.

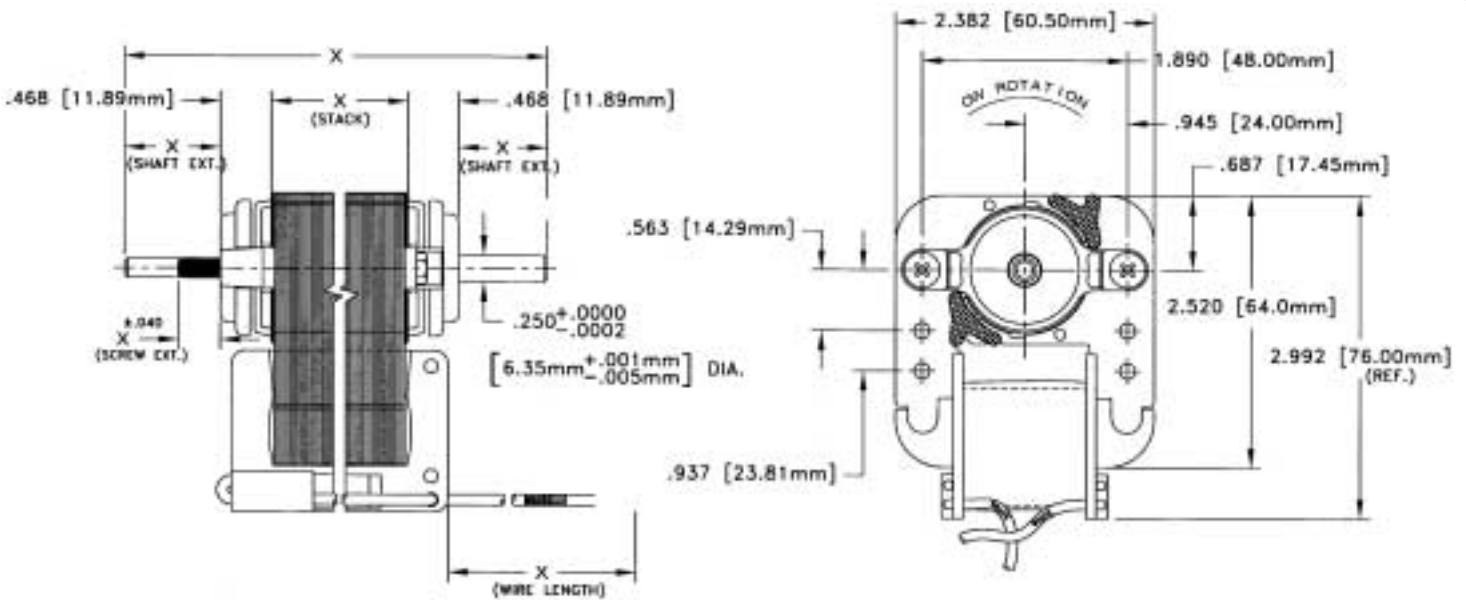


Electrical

- Designed for 115 or 230 volt, 50 or 60 Hz
- Other voltages available for special applications

Weight

1 to 2 1/2 lbs. (depending on power required)



X - DIMENSIONS AS REQUIRED

931-461-7391 • www.mamcomotors.com • THE MOTOR EXPERTS

8630 Industrial Dr. • Franksville, WI, USA 53126 • Fx: 262-886-4639 • info@mamcomotors.com
 SUPERIOR DESIGN TEAM • MANUFACTURING CAPABILITY • STRONG COMMITMENT TO QUALITY

Need a Quote?

To receive a quote for this product that will fit your individual application needs just fill out the form below and either fax or mail it to us. We will contact you with a quote within a couple of days.

Type of unit to be driven: _____

What is field of use: _____

Volume per year: _____

Will UL/CSA approval be required: No UL only Both

What UL or CSA standard covers the application: _____

What voltage: _____

What frequency: _____

What special environmental conditions: _____

What will be the ambient temperature: _____

What operating life is required: _____ Hours _____ Cycles

What is the duty cycle: _____ Time on _____ Time off _____ Duration

Direction of rotation - looking at shaft end: CW CCW

Will air be passed over the motor: Yes No

What RPM is required at full load: _____ RPM

What is maximum permissible full load speed tolerance (+/-): _____ RPM

What starting torque is require: oz. in. other

What running torque is require: oz. in. other

How will motor be mounted: _____

What will shaft position be: Up Down Horizontal

What shaft diameter & extension is required: _____ Diameter _____ Extension

Will shaft be special in any way: No Yes

If Yes, describe: _____

Will overload protection be required: No If Yes
 Impedance protected One shot fuse Automatic reset

What lead or cord length will be required: _____

Will special color coding be required: No Yes

If Yes, describe: _____

What is the estimated radial thrust load: _____

What is the estimated axial thrust load: _____ Toward motor _____ Away from motor

What are the size limitations: _____

What are the weight limitations: _____

Company: _____

Address: _____

City: _____ State: _____ Zip: _____

Contact Name: _____ Contact Title: _____

Contact Phone: _____ Email: _____

Describe All Other Special Features & Requirements: _____